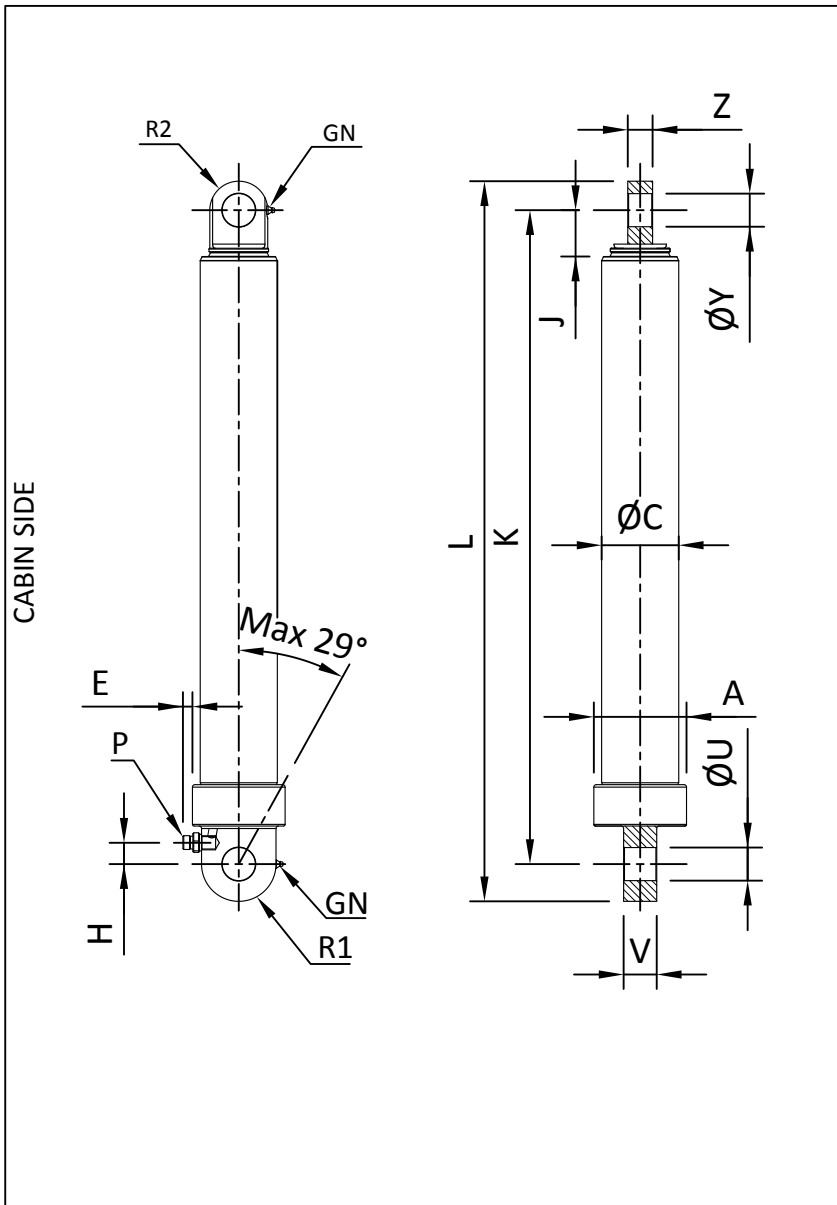


TELESCOPIC CYLINDER  
 FRONT MOUNTED EYE - TRUNION  
 TIPPING WEIGHT: 1 - 2 Ton / 84-132 x 1000 lbs



Part Number	Cylinder Type	Stroke Length	Dry Weight of Cylinder	Working Volume	Total Volume	Max. Pressure	Max. Pump Flow	Max. Thrust first stage
10041001N	UBEE 073-550/1/N	550mm	25.5 Kg	2.81 L	3.81 L	170 bar	27 L/min	7.25 tons
Stage	1	2	3	4	5	6	Total	
Stage Diameter (mm)	073							
Stroke (mm)	550							550



	Metric	Units
A	112	mm
C	93.2	mm
E	11.5	mm
H	26	mm
J	56	mm
K	790	mm
L	870	mm
M		mm
P	3/8"	BSP
R1	45	BSP
R2	35	mm
U	40	mm
V	40	mm
Y	40	mm
Z	30	mm

T - Oil Port

**Note :**

- > GN - Grease Nipple M8x1P - 2 no. (Piston eye & Bottom Eye).
- > 20mm / 0,79" Clearance must be maintained between cylinder bottom and cradle or King pin.
- > Cylinder mounting plates should NOT FOUL and get jammed
- > We recommend to use Hypratek Cylinder mounting pin.
- > Dimensions subject to change without notice.
- > Please turn over this page to see the mounting instructions and Tipping weight to Tipping angle.