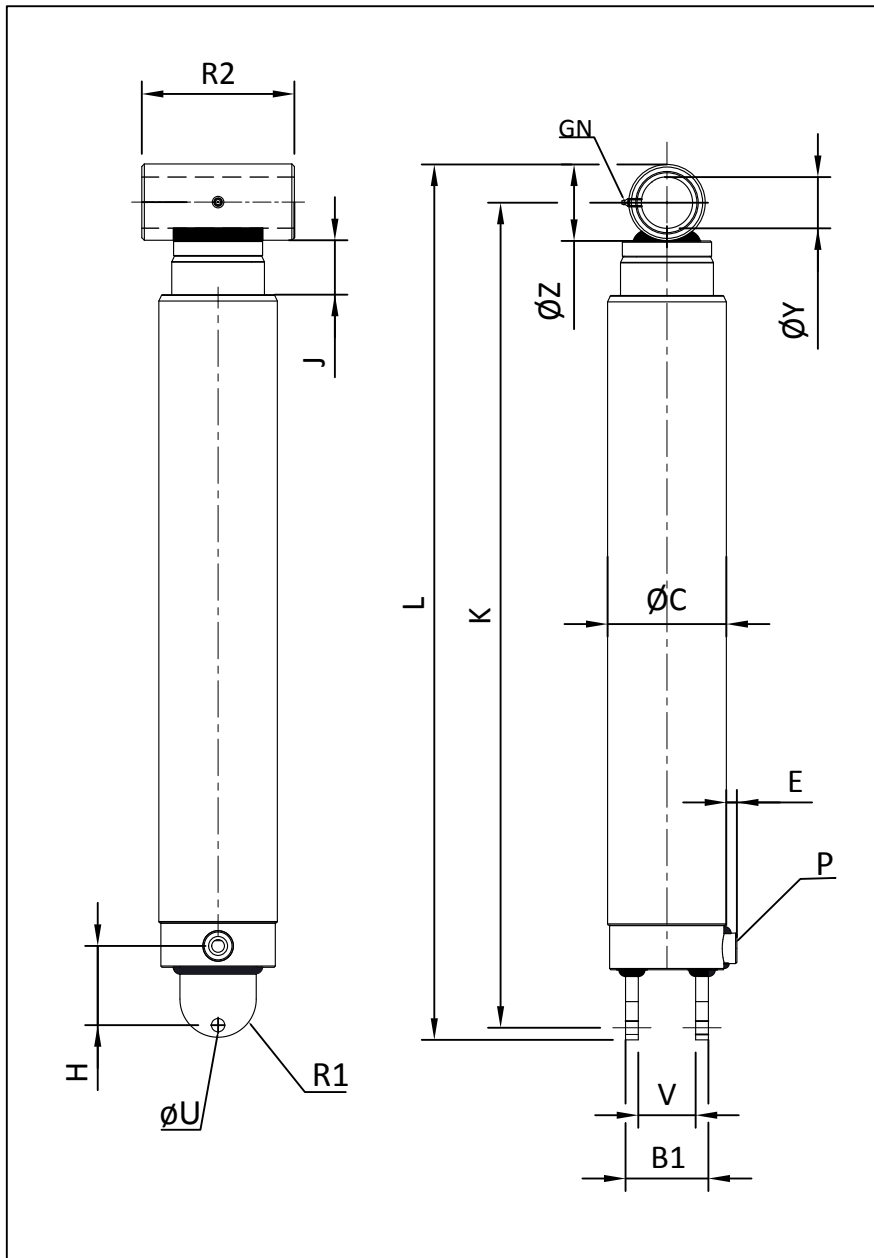


TELESCOPIC CYLINDER
 FRONT MOUNTED EYE - TRUNION
 TIPPING WEIGHT: 35-70 ton / 77-154 x 1000 lbs



Part Number	Cylinder Type	Stroke Length	Dry Weight of Cylinder	Working Volume	Total Volume	Max. Pressure	Max. Pump Flow	Max. Thrust first stage
10091701	UBEE 073-341/1/N	13,42"	375 lbs	15 gallon	16 gallon	2756 psi	28 gal/min	72752 lbs
		341mm	18 Kg	2L	3.6 L	170 bar	107 L/min	33 ton

Stage	1	2	3	4	5	6	Total
Stage Diameter (inch)	2.8						
Stage Diameter (mm)	073						
Stroke (inch)	13,42						13.42
Stroke (mm)	341						341



	U.S.	Metric	Units
A	4,40"	112	mm
B1	2,55"	65	mm
C	3,66"	93.2	mm
E	0.32"	8.25	mm
H	2,45"	62.3	mm
J	1,69"	43	mm
K	25,47"	647	mm
L	27,03"	686.80	mm
P	3/8"		mm
R1	1,18"	30	BSP
R2	4,72"	120	mm
U	0,41"	10.5	mm
V	1,77"	45	mm
Y	1,58"	40.2	mm
Z	2,36"	60	mm

T - Oil Inlet Port
 * incl. 0.79" [-0,2;1,2"] / 20[-5;30]
 pullout on piston

Note :

- > GN - Grease Nipple M8x1P - 2 no. (Piston eye & Bottom Eye).
- > Cylinder mounting plates should NOT FOUL and get jammed
- > We recommend to use Hypratek Cylinder mounting pin.
- > Dimensions subject to change without notice.
- > Please turn over this page to see the mounting instructions and Tipping weight to Tipping angle.