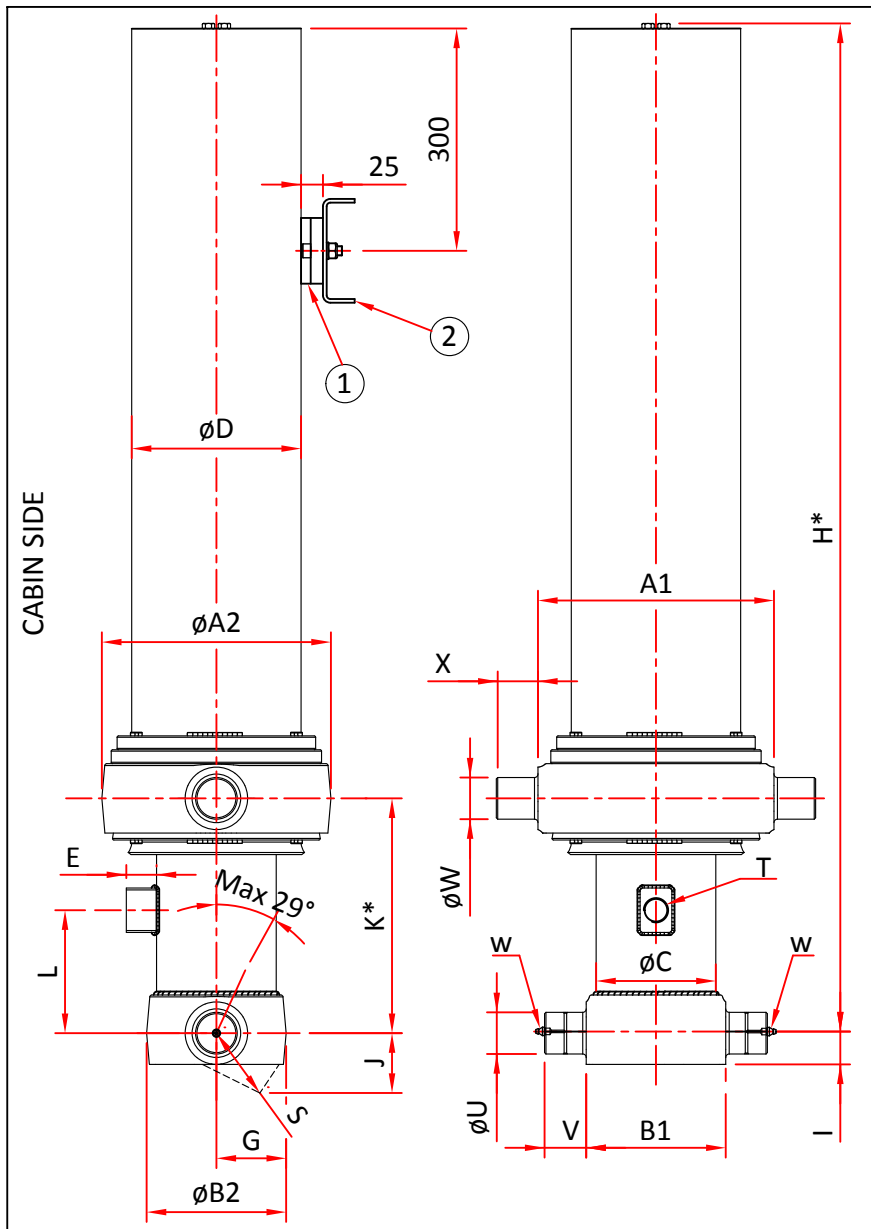


TELESCOPIC CYLINDER
 FRONT MOUNTED COVER - TRUNION
 TIPPING WEIGHT: 52-82 ton / 115-181 x 1000 lbs



Part Number	Cylinder Type	Stroke Length	Dry Weight of Cylinder	Working Volume	Total Volume	Max. Pressure	Max. Pump Flow	Max. Thrust first stage
10014506C	FMCT 170-4620/4/C	182"	606 lbs	19 gallon	21 gallon	2756 psi	28 gal/min	94798 lbs
		4620mm	275 Kg	73 L	79 L	190 bar	107 L/min	43 ton

Stage	1	2	3	4	5	6	Total
Stage Diameter (inch)	6,7	5,9	5,1	4,4			
Stage Diameter (mm)	170	150	130	111			
Stroke (inch)	44,8	45,6	45,6	45,6			182
Stroke (mm)	1140	1160	1160	1160			4620



	U.S.	Metric	Units
A1	13,38"	340	mm
A2	12,99"	330	mm
B1	9,64"	245	mm
B2	8,77"	223	mm
C	7,63"	194	mm
D	9,52"	242	mm
E	1,33"	34	mm
G	4,37"	111	mm
H*	57,08"	1450	mm
I	1,96"	50	mm
J	3,62"	92	mm
K*	13,50"	343	mm
L	7,48"	190	mm
S	4,60"	117	mm
T	1"	1"	BSP
U	2,36"	60	mm
V	2,36"	60	mm
W	2,36"	60	mm
X	2,36"	60	mm

T - Oil Inlet Port
 * incl. 0,79" [-0,2;1,2"] / 20[-5;30]
 pullout on piston

- Note :
- > C - Hard Chrome Plated.
 - > w - Grease nipple M8x1P - 2 nos. (Base trunion)
 - > 20mm Clearance must be maintained between cylinder bottom and cradle or King pin - dimension J=92mm.
 - > Anti rattle rubber (1) should be touching the cylinder cover as shown.
 - > Bracket (2) to be welded to the head board or head board stiffener.
 - > We recommend to use Hypratek Chassis brackets and Lifting brackets.
 - > Dimensions subject to change without notice.
 - > Please turn over this page to see the mounting instructions and Tipping weight to Tip angle.